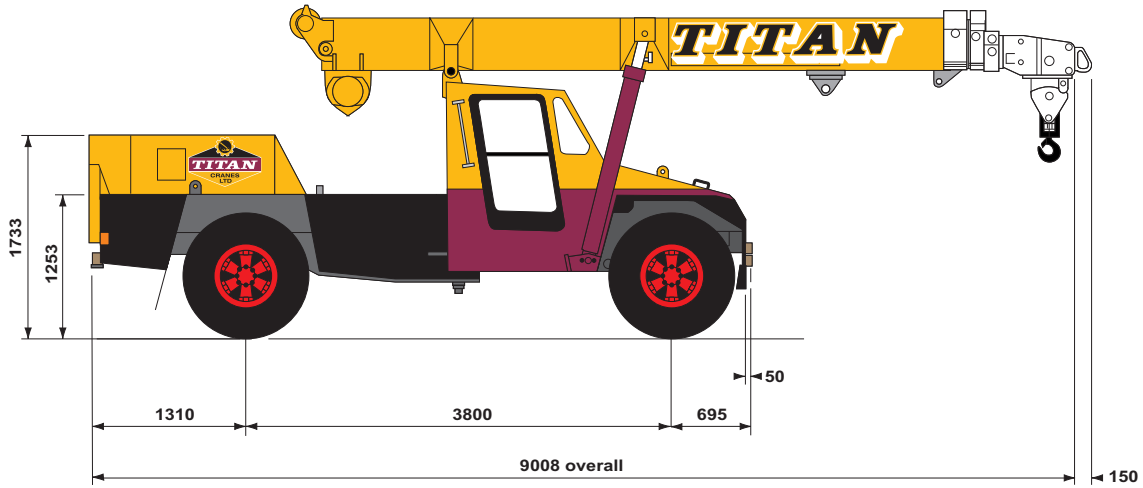
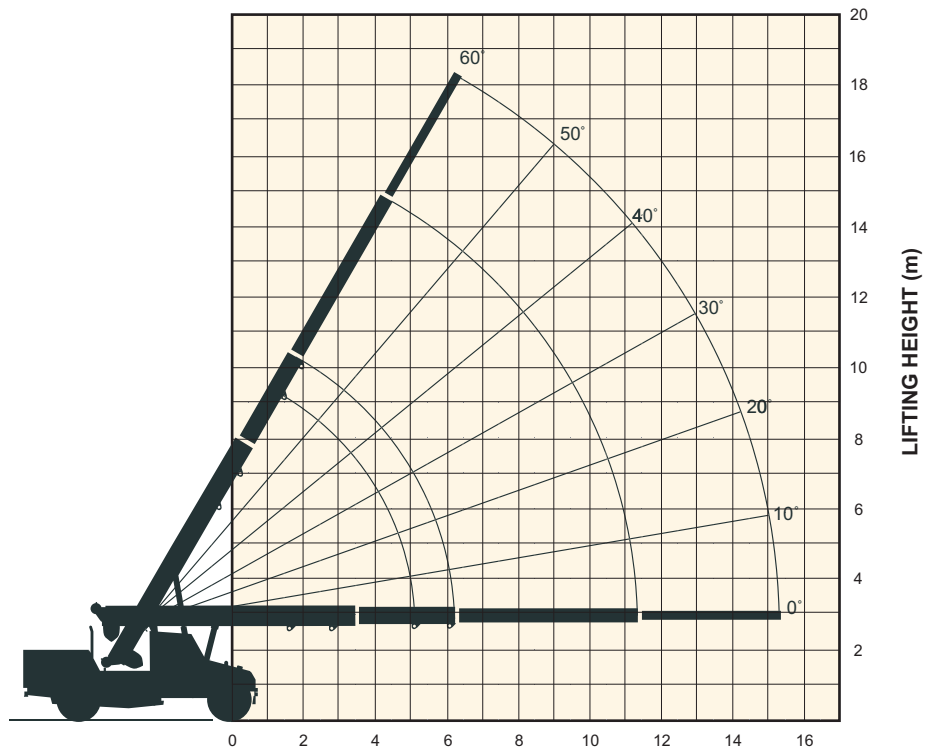
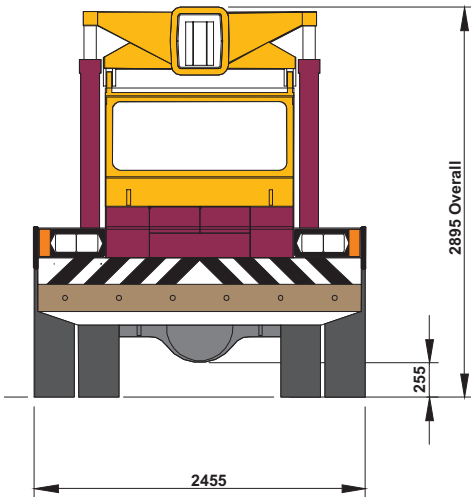


12 TONNE ALL TERRAIN CRANE

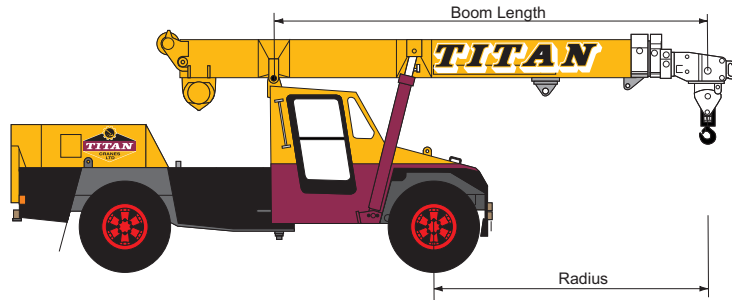


GENERAL DIMENSIONS

WORKING RANGE

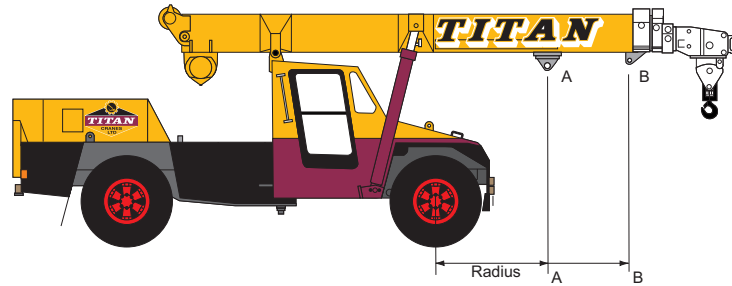


12 TONNE ALL TERRAIN CRANE



SAFE WORKING LOAD IN TONNES AT 67% TIPPING
 RADIUS IN METRES

Boom Angle	BOOM LENGTH IN METRES - MANUAL EXTENSION RETRACTED																	MAN EXT EXTENDED			
	5.66	6.00	6.50	7.00	7.50	8.00	8.50	9.00	9.50	10.00	10.50	11.00	11.50	12.00	12.50	13.00	13.66	16.56	17.56		
60				7.50	7.50	7.50	7.50	7.10	6.50	6.00	5.50	5.00	4.60	4.25	3.95	3.65	3.35	2.20	1.90		
				1.20	1.45	1.70	1.95	2.20	2.45	2.70	2.95	3.20	3.45	3.70	3.95	4.20	4.50	5.95	6.45		
50	7.50	7.50	7.50	7.50	7.50	7.25	6.50	5.90	5.40	4.80	4.35	3.95	3.65	3.35	3.10	2.85	2.60	1.80	1.60		
	1.35	1.55	1.90	2.20	2.55	2.85	3.15	3.50	3.80	4.15	4.45	4.80	5.10	5.40	5.75	6.05	6.50	8.35	9.00		
40	7.50	7.50	7.50	7.10	6.25	5.55	5.00	4.55	4.15	3.80	3.50	3.25	3.00	2.80	2.60	2.35	2.15	1.55	1.30		
	2.10	2.35	2.75	3.10	3.50	3.90	4.25	4.65	5.05	5.40	5.80	6.15	6.55	6.95	7.30	7.70	8.20	10.45	11.20		
30	7.50	7.50	6.45	5.65	5.00	4.50	4.05	3.70	3.40	3.10	2.85	2.65	2.45	2.30	2.15	2.00	1.85	1.30	1.20		
	2.70	3.00	3.40	3.85	4.30	4.70	5.15	5.60	6.00	6.45	6.90	7.30	7.75	8.20	8.60	9.05	9.60	12.15	13.00		
20	7.10	6.35	5.55	4.85	4.35	3.90	3.55	3.20	2.95	2.70	2.50	2.30	2.15	2.00	1.90	1.75	1.60	1.20	1.10		
	3.15	3.50	3.95	4.40	4.90	5.35	5.85	6.30	6.75	7.25	7.70	8.20	8.65	9.10	9.60	10.05	10.65	13.40	14.35		
10	6.40	5.80	5.05	4.45	4.00	3.60	3.25	2.95	2.70	2.50	2.30	2.15	2.00	1.85	1.75	1.60	1.50	1.10	1.00		
	3.45	3.80	4.30	4.80	5.30	5.75	6.25	6.75	7.25	7.75	8.25	8.70	9.20	9.70	10.20	10.70	11.35	14.20	15.20		
0	6.15	5.55	4.85	4.30	3.85	3.45	3.15	2.85	2.65	2.40	2.25	2.05	1.95	1.80	1.70	1.55	1.45	1.10	1.00		
	3.60	3.95	4.45	4.95	5.45	5.95	6.45	6.95	7.45	7.95	8.45	8.95	9.45	9.95	10.45	10.95	11.60	14.50	15.50		



Boom Angle	BOOM PIVOT TO HOOK A FIRST JIB EXTENSION MANUAL EXTENSION RETRACTED											
	3.50	4.00	4.50	5.00	5.50	6.00	6.50	7.00	7.50			
60										11.00	11.00	10.50
										1.20	1.45	1.70
50				11.00	11.00	11.00	9.75	8.30	7.10			
				1.15	1.50	1.80	2.10	2.45	2.75			
40	11.00	11.00	11.00	9.70	8.05	6.80	5.85	5.10				
	1.00	1.40	1.75	2.15	2.55	2.90	3.30	3.70				
30	11.00	11.00	9.25	7.60	6.35	5.40	4.70	4.10				
	1.40	1.85	2.25	2.70	3.15	3.55	4.00	4.45				
20	11.00	11.00	9.85	7.90	6.50	5.45	4.65	4.05	3.50			
	1.25	1.70	2.15	2.65	3.10	3.60	4.05	4.50	5.00			
10	12.00	11.65	8.95	7.20	5.95	5.00	4.30	3.70	3.25			
	1.40	1.90	2.35	2.85	3.35	3.85	4.35	4.85	5.35			
0	12.00	11.30	8.70	7.00	5.80	4.85	4.15	3.60	3.15			
	1.45	1.95	2.45	2.95	3.45	3.95	4.45	4.95	5.45			

Boom Angle	BOOM PIVOT TO HOOK B FIRST JIB EXTENSION MANUAL EXTENSION RETRACTED																
	4.50	5.00	5.50	6.00	6.50	7.00	7.50	8.00	8.50								
60										11.00	11.00	11.00	9.55	7.40			
										1.20	1.45	1.70	1.95	2.20			
50										11.00	11.00	11.00	10.20	8.70	7.50	6.60	5.50
										1.15	1.50	1.80	2.10	2.45	2.75	3.10	3.40
40	11.00	11.00	10.25	8.50	7.20	6.25	5.45	4.80	4.25								
	1.40	1.75	2.15	2.25	2.90	3.30	3.70	4.05	4.45								
30	11.00	9.85	8.05	6.75	5.80	5.00	4.40	3.85	3.45								
	1.85	2.25	2.70	3.15	3.55	4.00	4.45	4.85	5.30								
20	10.55	8.40	6.95	5.85	5.00	4.35	3.80	3.35	3.00								
	2.15	2.65	3.10	3.60	4.05	4.50	5.00	5.45	5.95								
10	9.60	7.70	6.40	5.40	4.65	4.00	3.50	3.10	2.75								
	2.35	2.85	3.35	3.85	4.35	4.85	5.35	5.80	6.30								
0	9.35	7.50	6.20	5.25	4.50	3.90	3.45	3.05	2.70								
	2.45	2.95	3.45	3.95	4.45	4.95	5.45	5.95	6.45								

LOADS ON FIRM LEVEL GROUND, TYRES 1100X20X16 PLY INFLATED 116 PSI, WEIGHT OF HOOK BLOCKS SLINGS AND OTHER LOAD HANDLING DEVICES SHALL BE ADDED TO THE WEIGHT OF THE LOAD.